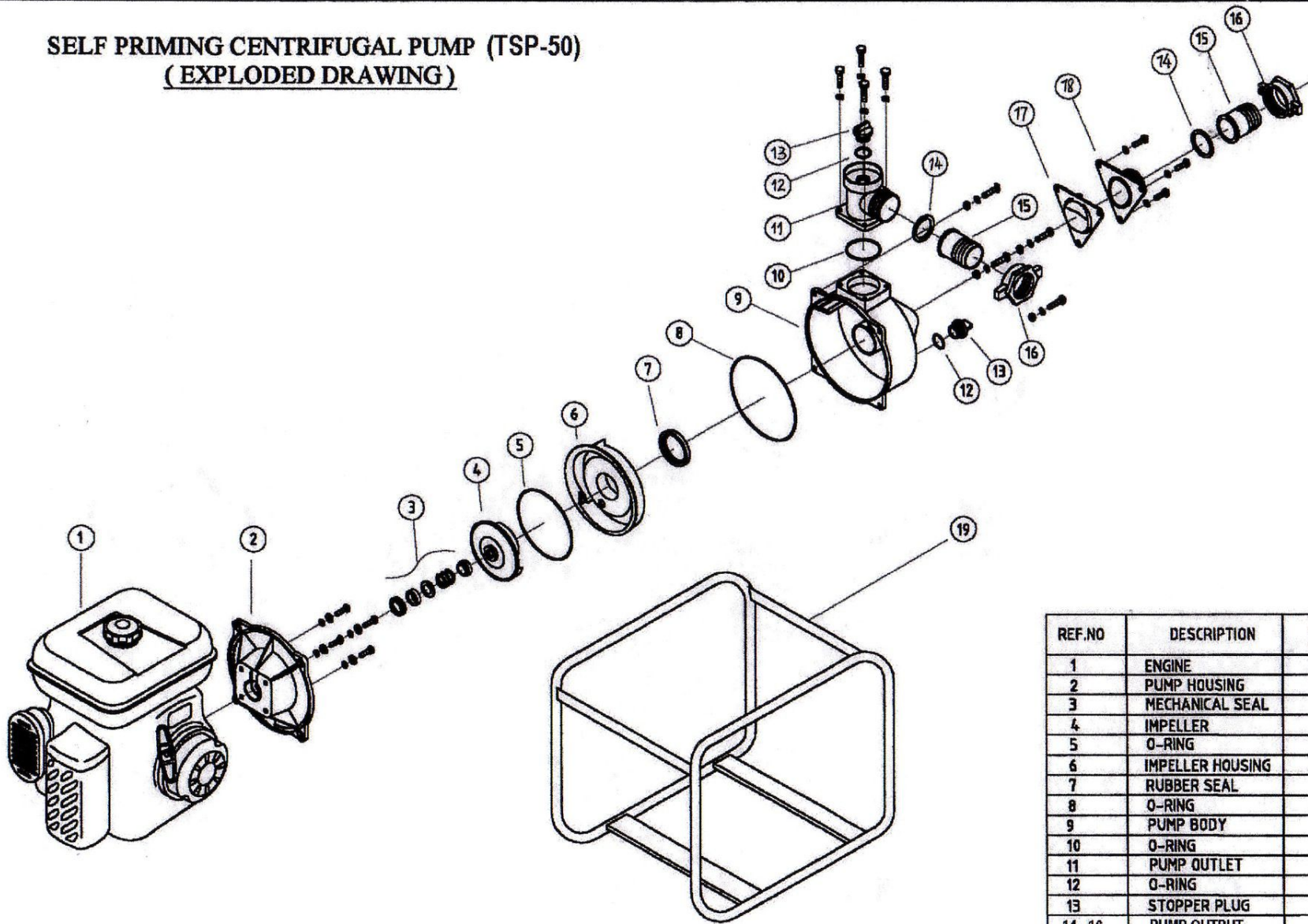


**SELF PRIMING CENTRIFUGAL PUMP (TSP-50)**  
**( EXPLODED DRAWING )**



REF.NO	DESCRIPTION	QTY
1	ENGINE	1
2	PUMP HOUSING	1
3	MECHANICAL SEAL	1
4	IMPELLER	1
5	O-RING	1
6	IMPELLER HOUSING	1
7	RUBBER SEAL	1
8	O-RING	1
9	PUMP BODY	1
10	O-RING	1
11	PUMP OUTLET	1
12	O-RING	2
13	STOPPER PLUG	2
14 - 16	PUMP OUTPUT	1
17	ONE-WAY VALVE	1
18	PUMP INLET	1
19	ENGINE FRAME	1