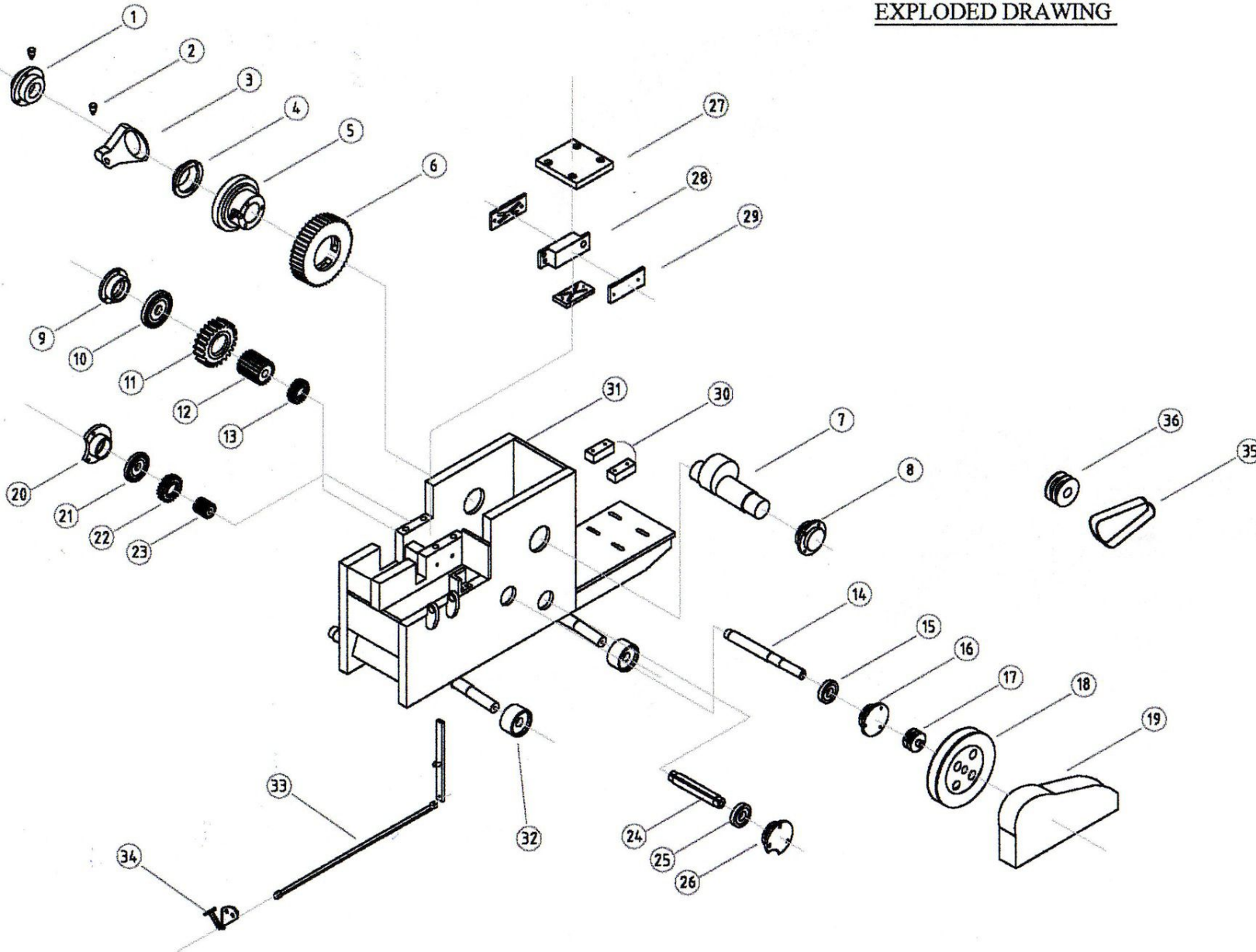


BAR CUTTER (TKBC-42)  
EXPLODED DRAWING



REF.NO	DESCRIPTION
1	CON-ROD COVER(A)
2	GREASE NIPPLE
3	CON-ROD
4	FLANGE
5	CLUTCH HOUSING
6	GEAR 52T
7	CON-ROD SHAFT
8	CON-ROD SHAFT COVER
9	FLY WHEEL SHAFT COVER
10	BEARING
11	GEAR
12	GEAR
13	GEAR
14	FLYWHEEL SHAFT
15	BEARING
16	FLY WHEEL SHAFT HOUSING
17	PULLEY
18	FLY WHEEL
19	COVER
20	COVER
21	BEARING
22	GEAR
23	GEAR
24	SHAFT
25	BEARING
26	COVER
27	BLADE HOLDER COVER
28	BLADE HOLDER
29	BLADE HOLDER
30	ENGINE MTG.BLOCKS
31	BODY
32	WHEEL
33	CLUTCH PADDLE CONNECTOR
34	CLUTCH PADDLE
35	BELT
36	ENGINE PULLEY